

Part number:

HYDROMA

HYDRAULICKÉ SYSTÉMY

**HIDROMA
SYSTEMS**

UKŁADY HYDRAULICZNE

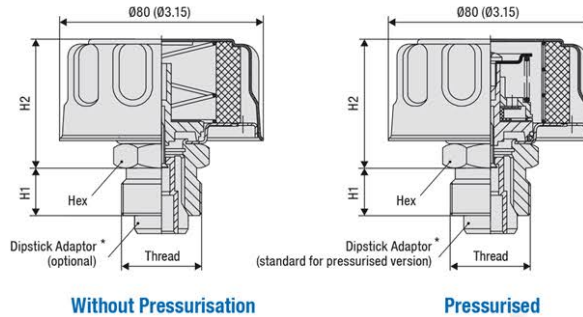
HYDROMA

ГИДРАВЛИЧЕСКИЕ СИСТЕМЫ

Tank Filler Breathers

Dimensions / Technical Data / Order Codes

**Metal Filler Breather - Type SMBT-80
(Screw-In Version)**



* Please note: The dipstick adaptor is not available for connection threads G1/2 and 1/2 NPT.

Characteristics

Designed to be used as filler ports for hydraulic reservoirs, allowing the reservoir to breathe whilst protecting it from contamination found in harsh environments

Features

- Cap diameter of Ø80 mm / Ø3.15 in
- Screw-in version, equipped with male BSP thread (ISO 228) or male NPT thread (ANSI B1.20.1)
- Operating temperature range: -30 °C ... +120 °C / -22 °F ... +248 °F

Materials

- Breather cap made of Steel, zinc/nickel-plated (Fe/Zn Ni 6) and free of hexavalent chromium CrVI (standard option); chrome-plated and epoxy-coated versions available
- Threaded socket made of Steel, zinc-plated
- Dipstick adaptor made of Polyamide (PA)

Consult STAUFF for alternative materials.

Accessories / Options

- Pressurisation up to 0,7 bar / 10 PSI
- Air filter element
- Dipstick adaptor suitable for plastic dipstick DS-1 (not for connection threads G1/2 and 1/2 NPT)
- Plastic dipstick DS-1 with integrated anti-splash feature (not for connection threads G1/2 and 1/2 NPT)

Maximum Air Flow Rate

- 0,45 m³/min / 15.89 cfm

Consult STAUFF for detailed air flow curves.

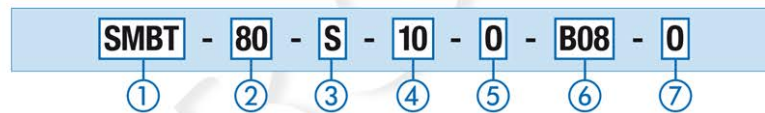
Oil Displacement

- 450 l/min / 119 US GPM

Dimensions

Thread	Dimensions (mm/in)			Thread	Dimensions (mm/in)		
	H1	H2	Hex		H1	H2	Hex
Male G1/2 BSP (ISO 228)	14	54	24	Male 1/2 NPT (ANSI B1.20.1)	14	52,5	24
	.55	2.13	.94		.51	2.07	.94
Male G3/4 BSP (ISO 228)	16	54	30	Male 3/4 NPT (ANSI B1.20.1)	16	52,5	30
	.63	2.13	1.18		.59	2.07	1.18
Male G1 BSP (ISO 228)	19	54	36	Male G1 NPT (ANSI B1.20.1)	19	52,5	36
	.75	2.13	1.42		.75	2.07	1.42

Order Codes



1 Type / Version

Metal Filler Breather; Screw-in version **SMBT**

2 Cap Diameter / Material / Surface Finishing

Cap diameter Ø80 mm (Ø3.15 in); Breather cap made of Steel, zinc/nickel-plated (standard option) **80**
 Cap diameter Ø80 mm (Ø3.15 in); Breather cap made of Steel, chrome-plated **80C**
 Cap diameter Ø80 mm (Ø3.15 in); Breather cap made of Steel, epoxy-coated **80E**

3 Label

With STAUFF logo (standard option) **S**
 Neutral design without any logo **N**

4 Air Filter Element (Material / Micron Rating)

Without air filter element **00**
 3 µm Filter Paper **03**
 10 µm Foam / PUR (standard option) **10**
 40 µm Foam / PUR **40**

Consult STAUFF for alternative materials / micron ratings.

5 Pressurisation

Without pressurisation (standard option) **0**
 Pressurised at 0,35 bar / 5 PSI **P2**
 Pressurised at 0,7 bar / 10 PSI **P3**

6 Connection Thread (Male)

G1/2 **B08**
 G3/4 **B12**
 G1 **B16**
 1/2 NPT **N08**
 3/4 NPT **N12**
 1 NPT **N16**

Consult STAUFF for alternative threads.

7 Dipstick

Without dipstick (standard option) **0**
 With dipstick adaptor suitable for dipstick DS-1 (not for connection threads G1/2 and 1/2 NPT) **A**
 With dipstick adaptor and plastic dipstick DS-1 (300 mm / 11.81 in) with integrated anti-splash feature (not for connection threads G1/2 and 1/2 NPT) **D300**

A shorter dipstick length can be achieved by simply cutting down the total length according to individual requirements.

Please note: The dipstick adaptor is required for the subsequent installation of plastic dipsticks DS-1 (see page E14 for details), and is included in delivery when ordering a pressurised version. The dipstick adaptor is not available for connection threads G1/2 and 1/2 NPT.