

Part number:

**HYDROMA**

HYDRAULICKÉ SYSTÉMY

**HIDROMA  
SISTEMS**

UKŁADY HYDRAULICZNE

**HYDROMA**

ГИДРАВЛИЧЕСКИЕ СИСТЕМЫ

RE 18323-04/01.10

Replaces: 01.06

1/4

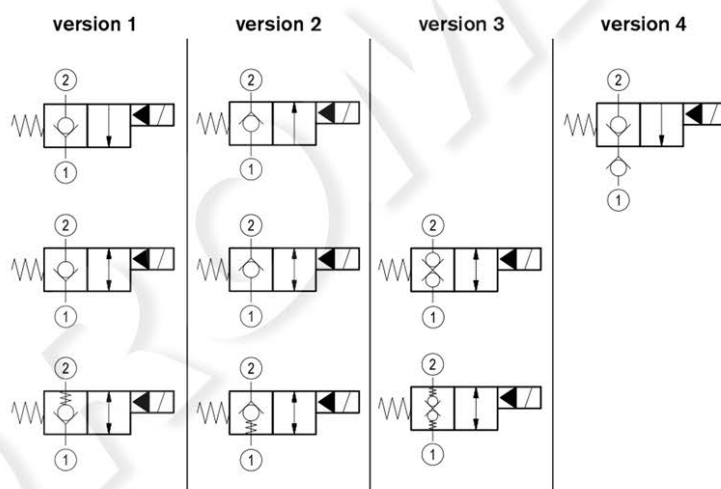
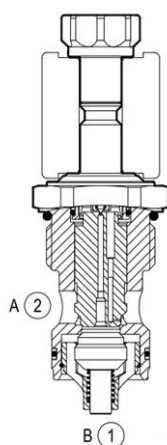
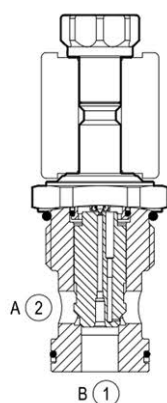
# Solenoid operated valves pilot operated poppet type 2-way normally closed

Special cavity, 021-E



VEI-8A-12-NC

OD.15 - X - 21 - Y - Z



04

## General

Weight	kg (lbs)	0.34 (0.75)
Installation orientation		Optional
Ambient temperature range	°C (°F)	-30 to 60 (-22 to 140)

## Hydraulic

Max. operating pressure	bar (psi)	350 (5000)
Flow range	l/min. (gpm)	5-150 (1-40)
Max. internal leakage	drops/min.	20
Fluid temperature range	°C (°F)	-20 to 80 (-4 to 176)
Fluids		Mineral-based or synthetics with lubricating properties at viscosities of 20 to 380 mm <sup>2</sup> /s (cSt)
Installation torque	Nm (ft-lbs)	80-100 (59-74)
Filtration		Nominal value max. 10µm (NAS 8) ISO 4406 19/17/14
Cavity		021-E see RE 18325-75
Line bodies		See data sheet RE 18325-85
Seal kit - version 1	code material no.	RG21E201052010 R934003566
Seal kit - version 2-3	code material no.	RG21E201053010 R934003567
Seal kit coil	code material no.	RG12A1PNBR7000 R934003591
Other technical data		See data sheet RE 18350-50

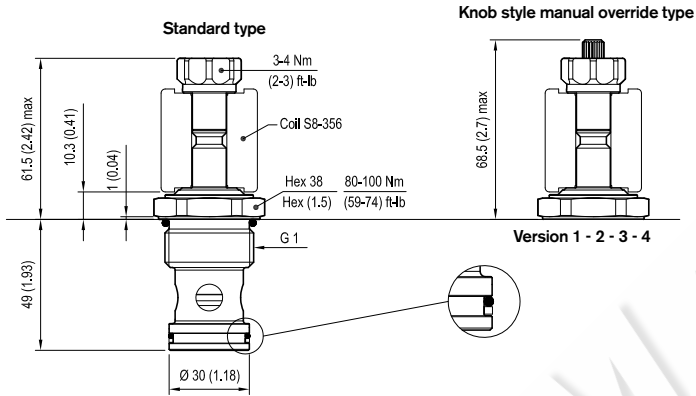
## Electrical

Type of voltage	DC voltage
Coil type	S8-356 see RE 18325-90
Supply voltage	See data sheet RE 18325-90
Nominal voltage	± 10%
Power consumption	W 20
Duty cycle coil	% See performance graphs
Type of protection	See data sheet RE 18325-90

**Note: Coils must be ordered separately.**

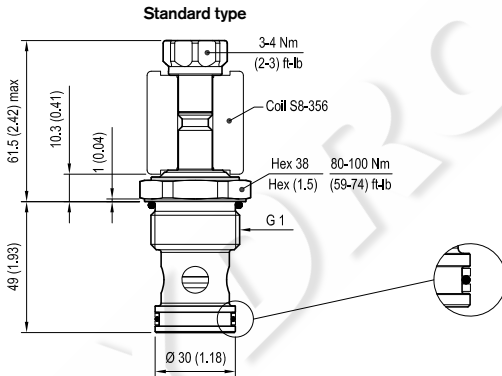
### Dimensions

#### Version 1: Solenoid operated valve, poppet 2-way normally closed

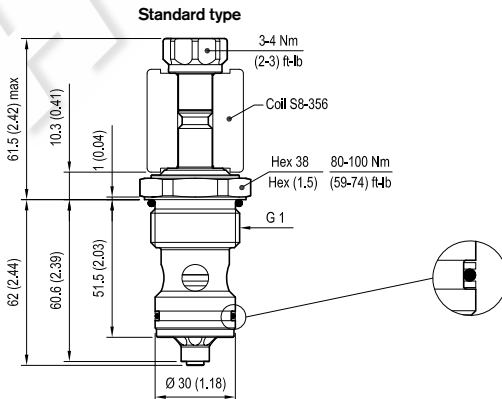


#### Version 2: Solenoid operated valve, poppet 2-way normally closed

#### Version 3: Solenoid operated valve, poppet 2-way double lock normally closed



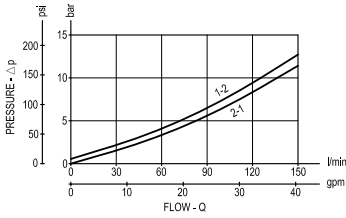
#### Version 4: Solenoid operated valve, poppet 2-way normally closed



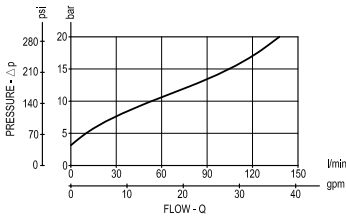
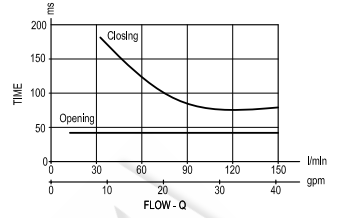
mm (Inches)

Performance graphs

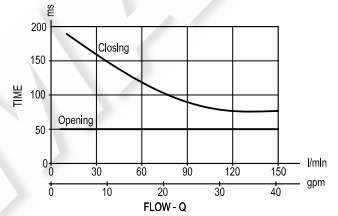
Version 1 - Version 2



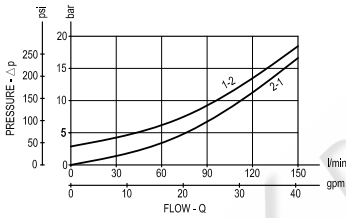
Standard



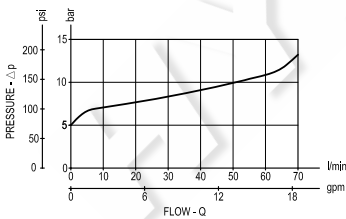
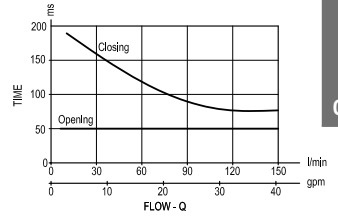
Extra spring



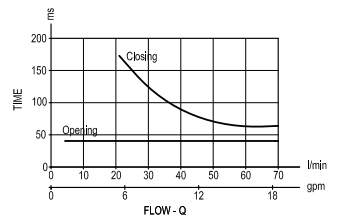
Version 3



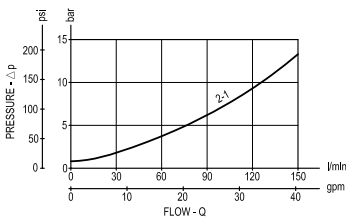
Standard



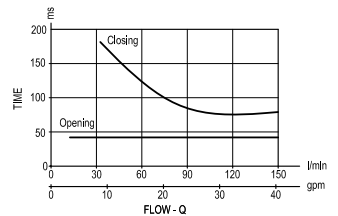
Extra spring



Version 4

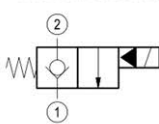
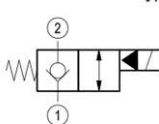
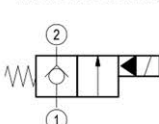
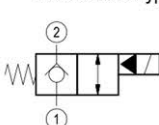
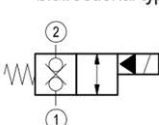
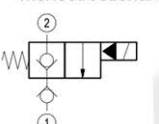
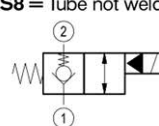
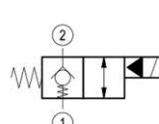
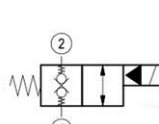

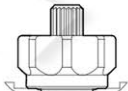


Standard



04

## Ordering code

	OD.15	*	21	*	*
<p>Solenoid operated valves poppet type 2-way normally closed</p> <p>monodirectional type</p>  <p style="text-align: right;">= 01</p> <hr/> <p>bidirectional type</p>  <p style="text-align: right;">= 05</p> <hr/> <p>monodirectional type</p>  <p style="text-align: right;">= 09</p> <hr/> <p>bidirectional type</p>  <p style="text-align: right;">= 03</p> <hr/> <p>bidirectional type</p>  <p style="text-align: right;">= 31</p> <hr/> <p>monodirectional type</p>  <p style="text-align: right;">= 11</p>	<p><b>S0</b> = Tube not welded</p> <hr/> <p><b>S8</b> = Tube not welded with extra spring</p>  <p style="text-align: right;">for X= 05</p> <hr/>  <p style="text-align: right;">for X= 03</p> <hr/>  <p style="text-align: right;">for X= 31</p> <hr/> <p>standard type</p> <p><b>3A</b> =</p>  <hr/> <p>knob style manual override</p> <p><b>3D</b> =</p> 				
Special cavity: 021-E					

Type	Material number
OD1501213AS000	R901144300
OD1501213DS000	R901085462
OD1503213AS000	R901113666
OD1503213AS800	R934003065
OD1503213DS000	R934000792
OD1503213DS800	R934003066
OD1505213AS000	R901104395
OD1505213AS800	R901119221
OD1505213DS000	R901119267
OD1509213AS000	R901132881
OD1511213AS000	R901138183
OD1511213AS800	R934001086
OD1531213AS000	R901104412
OD1531213AS800	R901119002
OD1531213DS000	R901132876
OD1531213DS800	R901125793