

Part number:

HYDROMA

HYDRAULICKÉ SYSTÉMY

**HIDROMA
SISTEMS**

UKŁADY HYDRAULICZNE

HYDROMA

ГИДРАВЛИЧЕСКИЕ СИСТЕМЫ

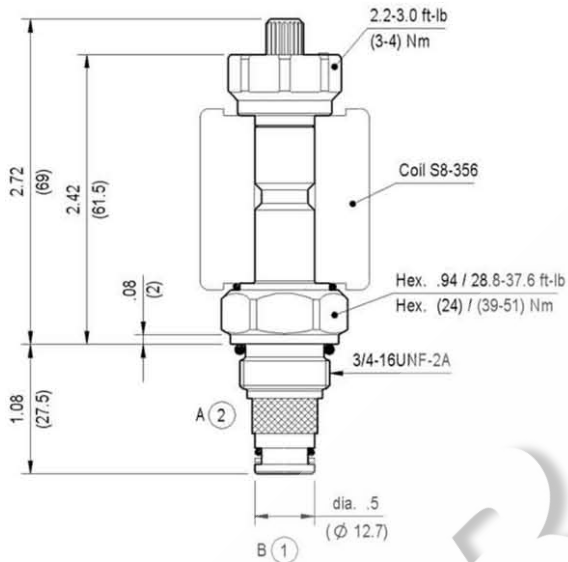
**SOLENOID OPERATED VALVES
POPPET 2-WAY NORMALLY CLOSED - FILTER
COMMON CAVITY**

VEI-8I-2A-06-NC-S1-F-NSS

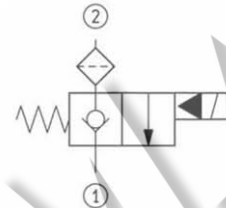
SIZE 08

OD.15.07.18 - Y - S0

PATENT PENDING

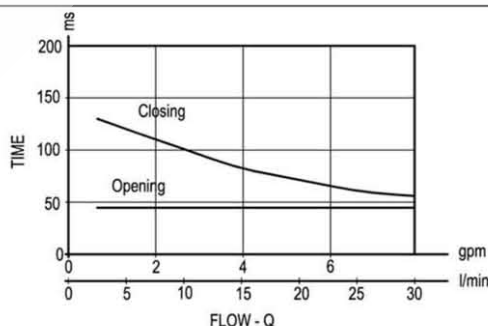
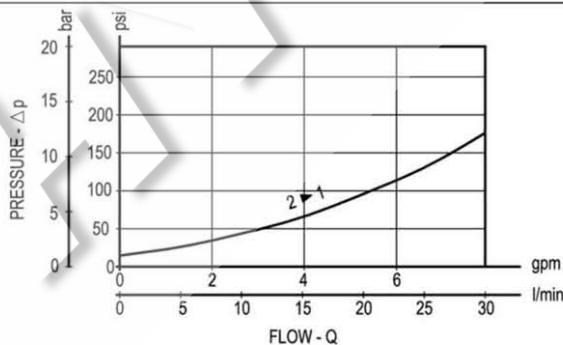


Inches
(mm)



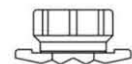
TECHNICAL DATA

Maximum Operating Pressure	3000 psi (210 bar)
Rated Flow	8 gpm (30 l/min)
Filter Screen	280 µm mesh ~60
Cavity - Tooling (CA-08A-2N)	page CT.A.001.U
Line bodies	page MN2.A...
Weight	0.286 lbs (0.130 kg)
Fluids - Temperatures	page 7.01.040
Testing Conditions - Seals	page 7.01.040
Internal Leakage	page 7.01.040
Filtration : 25 µm nominal or better	page 7.01.050
Minimum Voltage Required	90% of nominal
Coils must be ordered separately	page 1.71.042
Mounting Position	unrestricted



Y ORDERING OPTIONS

3I Standard



3M Knob Style Manual Override

