

Part number:

006-10630

HYDROMA

HYDRAULICKÉ SYSTÉMY

**HIDROMA
SISTEMS**

UKŁADY HYDRAULICZNE

HYDROMA

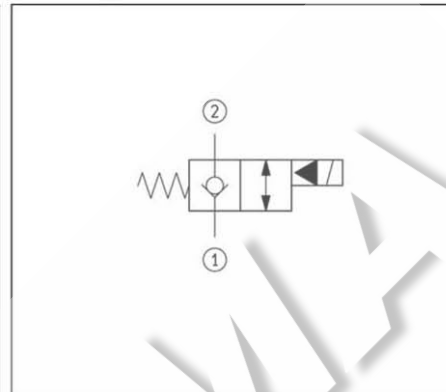
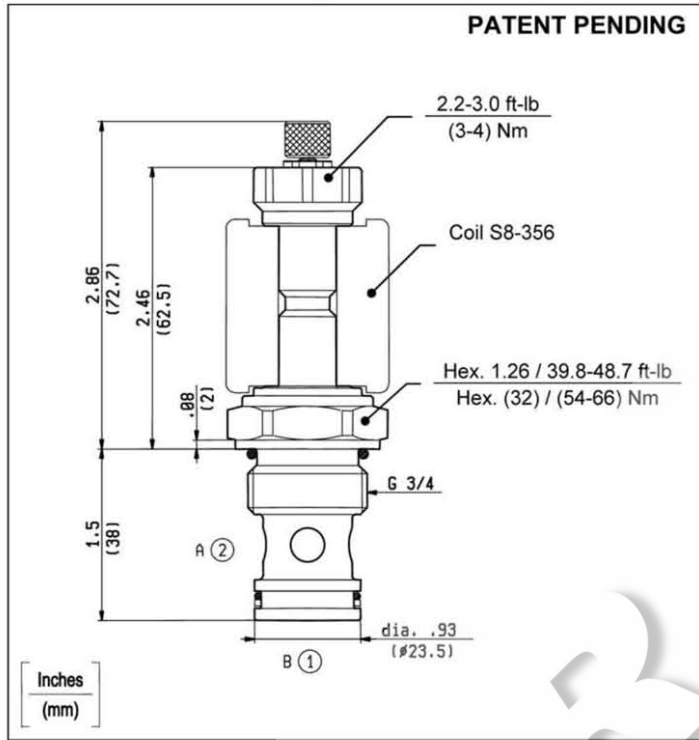
ГИДРАВЛИЧЕСКИЕ СИСТЕМЫ

**SOLENOID OPERATED VALVES
POPPET 2-WAY NORMALLY CLOSED
SPECIAL CAVITY**

VEI-8A-2A-09-NC-S-NSS

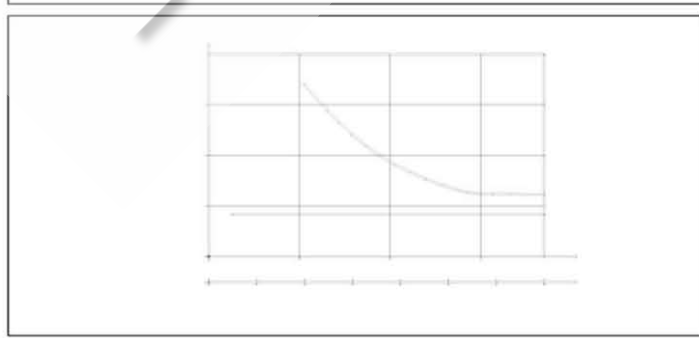
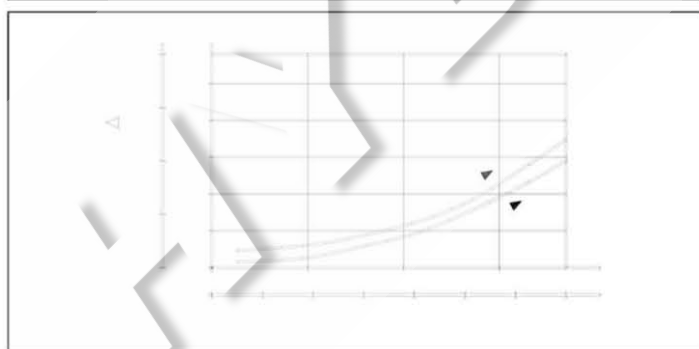
017-E

OD.15.05.17 - Y - S0



TECHNICAL DATA

| | |
|---|----------------------|
| Maximum Operating Pressure | 5000 psi (350 bar) |
| Rated Flow | 19 gpm (70 l/min) |
| Cavity - Tooling (017-E) | page CT.S.006.U |
| Line bodies | page MN2.S... |
| Weight | 0.485 lbs (0.220 kg) |
| Fluids - Temperatures | page 7.01.040 |
| Testing Conditions - Seals | page 7.01.040 |
| Internal Leakage | page 7.01.040 |
| Filtration : 25 µm nominal or better | page 7.01.050 |
| Minimum Voltage Required | 90% of nominal |
| Coils must be ordered separately | page 1.71.042 |
| Mounting Position | unrestricted |



| Y | ORDERING OPTIONS | |
|----|----------------------------|--|
| 3A | Standard | |
| 3D | Knob Style Manual Override | |

Rev.02.10

1.11B.460.U