

Part number:

HYDROMA

HYDRAULICKÉ SYSTÉMY

**HIDROMA
SISTEMS**

UKŁADY HYDRAULICZNE

HYDROMA

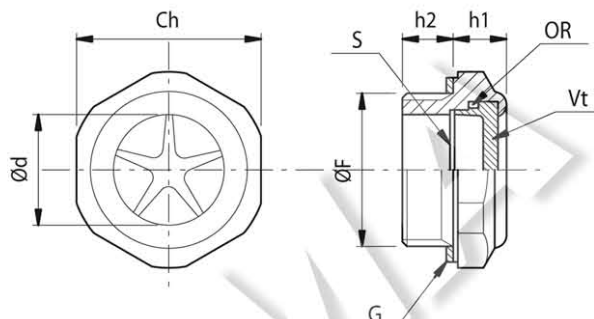
ГИДРАВЛИЧЕСКИЕ СИСТЕМЫ

SM – OIL LEVEL INDICATORS – Aluminium/Crystal-clear plastic

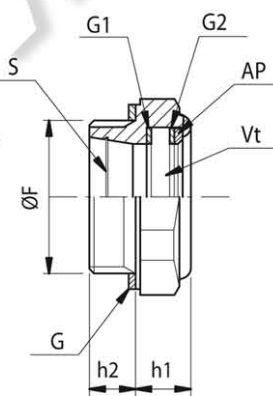
SM/HP – OIL LEVEL INDICATORS – Aluminium/natural glass



Model SM



Model SM-HP



S = Contrast screen
Vt = Transparent disc
G = Fiber gasket
G1= Internal seal
G2= External seal
AP= Anti-shock ring

-Threaded hex-head level indicators manufactured from Aluminium 11S

-**Model SM** Sightglass made from transparent polyamide TROGAMID® T, which provides good mechanical resistance and is impervious to mineral oil, gasoline, lubricants, petroleum, solvents and most chemical agents (please refer to technical table, page 57). Avoid contact with alcohol based solutions and antifreeze liquids at high temperatures and hot water over 80 °C

Max operating temperature 100°C, max operating pressure 10 Bar

-Model **SM-HP** with sightglass made from natural glass, internal seal in VITON suitable for application until 150°C and working pressure 20 Bar internal pressure

-**New model CX** made from special resin resistant to fluid containing alcohol available on request in minimum quantities.

-Asbestos-free flat gasket (optional available on request alu washer)-

Code	F	Ch	d	h1	h2	weight gr	Min. pack.
SM/14	G. 1/4	18	11	9.50	7.50	6	100
SM/38	G. 3/8	22	13	10	9	10	100
SM/12	G. 1/2	27	16	10	9	13	100
SM/34	G 3/4	32	20	9	12	20	50
SM/1	G. 1	40	26	11	11	32	50
SM/114	G. 1 1/4"	50	34	14	12	54	1
SM/18.15	M 18x1.5	22	13	10	9	10	100
SM/22.15	M 22x1.5	27	16	10	9	13	100
SM-12/HP	G. 1/2	27	12	11	9	18	1
SM-34/HP	G. 3/4	32	16	10	11	28	1
SM-1/HP	G. 1	40	23	11	11	43	1