

Part number:

HYDROMA

HYDRAULICKÉ SYSTÉMY

**HIDROMA
SISTEMS**

UKŁADY HYDRAULICZNE

HYDROMA

ГИДРАВЛИЧЕСКИЕ СИСТЕМЫ

Solenoid operated valves 2-way 2-positions

Common cavity size 08

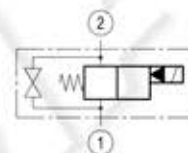
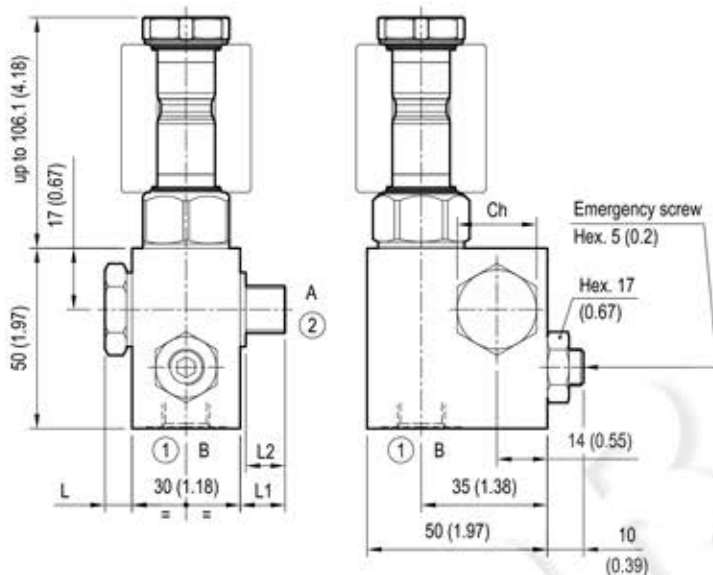
Cartridge style in emergency manifold

VEI-CN-16-08A

OE.17 - K - 18 - X - Y - Z - W

RE 18332-08

Edition: 12.2016



Cartridge schemes (K)

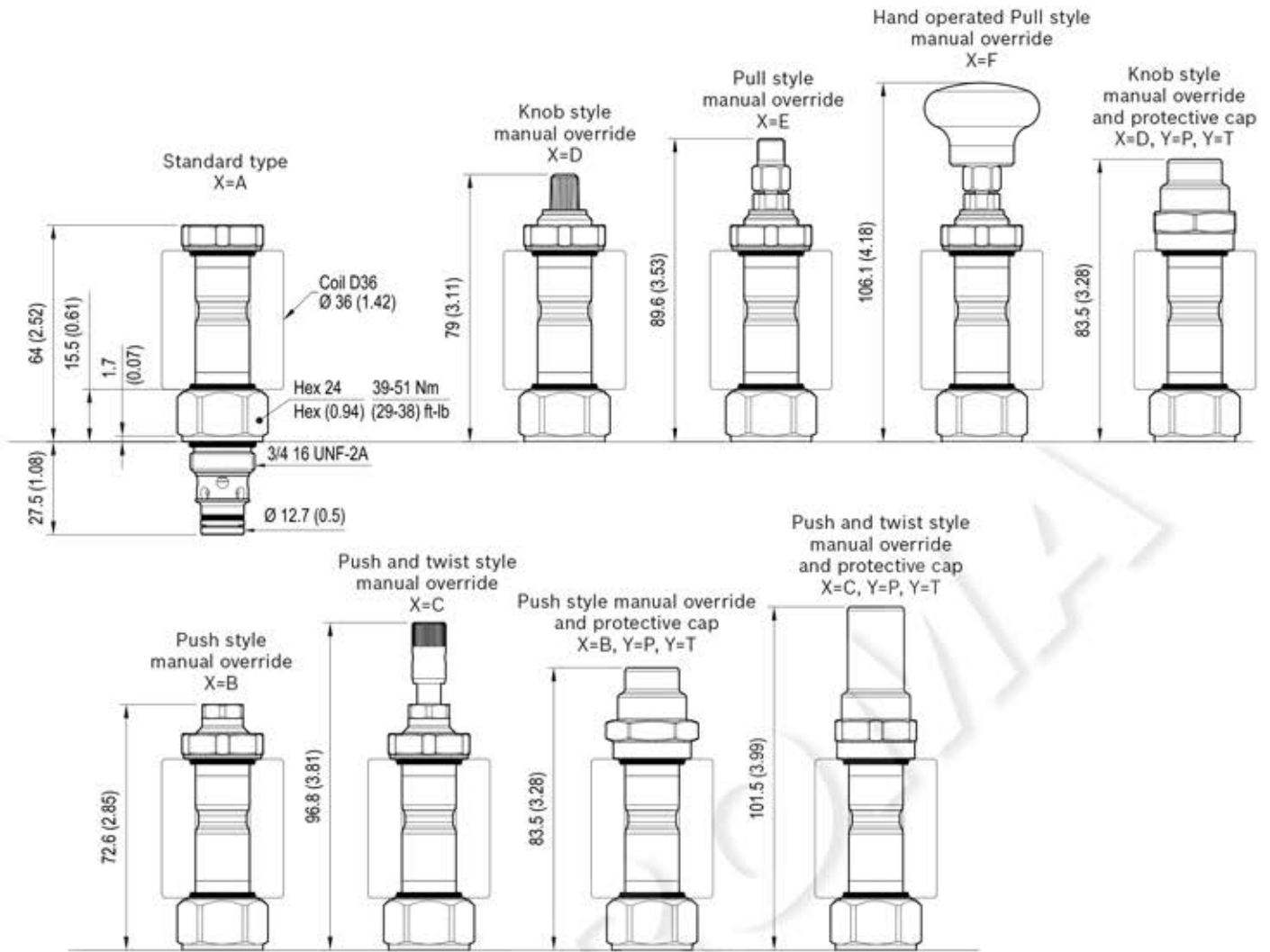
monodirectional type	bidirectional type
	05
	06
	31
	32

[mm (inches)]

7.5 (0.3)	14 (0.55)	10.9 (0.43)	22 (0.87)			G 1/4	30 (22)
8.5 (0.34)	15 (0.59)	11.9 (0.47)	22 (0.87)			G 3/8	60 (44)
L	L1	L2	Ch			Ports Size	Tightening Torque Nm (ft-lb)

Technical data

Max. flow	40 l/min (11 gpm)
Max. operating pressure for steel body	350 bar (5000 psi)
Max operating pressure for aluminium body	210 bar (3000 psi)
Ambient temperature range	-30 to 90 °C (-22 to 194 °F)
Fluids: Mineral-based or synthetics with lubricating properties at viscosities of 20 to 380 mm ² /s (cSt)	
MTTFd	150 years see RE 18350-51
To order manifold only, see data sheet RE 18325-85	
Other technical data	See data sheet 18350-50



Cartridge technical data

General	
Installation orientation	Unrestricted
Ambient temperature range	-30 to 90 °C (-22 to 194 °F)
Hydraulic	
Max. operating pressure	350 bar (5000 psi)
Flow range	0.5 - 40 l/min (0.1 - 11 gpm)
Max. internal leakage	5 drops/min.
Switching time	Opening ≤ 50 ms Closing ≤ 100 ms
Fluid temperature range	-20 to 80 °C (-4 to 176 °F)
Fluids: Mineral-based or synthetics with lubricating properties at viscosities of 20 to 380 mm ² /s (cSt)	
Installation torque	39 - 51 Nm (29 - 38 ft-lbs)
Recommended degree of fluid contamination	Nominal value max. 10 µm (NAS 8) ISO 4406 19/17/14
MTTFd	150 years see RE 18350-51
Cavity	CA-08A-2N see data sheet 18325-70
Other technical data	See data sheet 18350-50

Electrical	
Type of voltage	DC voltage
Coil type	D36
Supply voltage	See data sheet 18325-90
Voltage tolerance against ambient temperature	See characteristic curve
Power consumption	20 W
Type of protection	See data sheet 18325-90

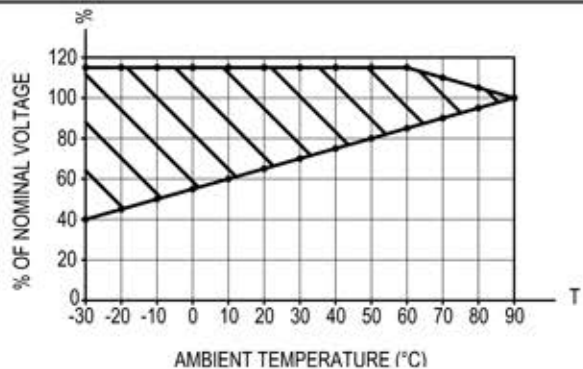
Note: Coils must be ordered separately

TAB. 1 Manual override options (X)

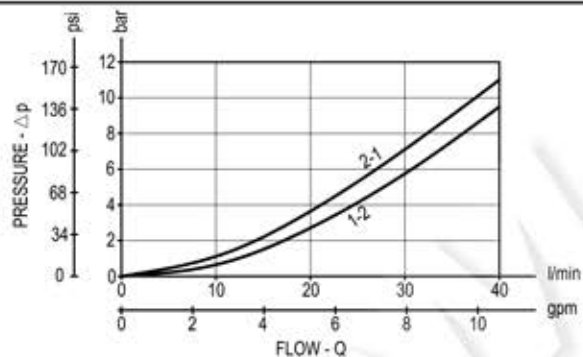
Seal and prot. cap. (Y)	Manual override options (X)					
	A	B	C	D	E	F
O	K=all versions	K=06 K=32	K=06 K=32	K=05 K=31	K=05 K=31	K=05 K=31
V	K=all versions	K=06 K=32	K=06 K=32	K=05 K=31	K=05 K=31	K=05 K=31
P	/	K=06 K=32	K=06 K=32	K=05 K=31	/	/
T	/	K=06 K=32	K=06 K=32	K=05 K=31	/	/

Characteristic curves

All Versions - Admissible supply voltage Vs. Ambient temperature at 100% duty cycle



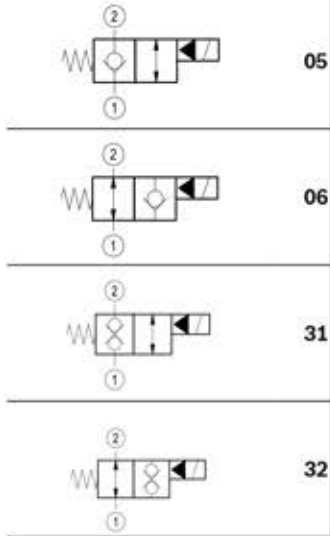
All Versions



Ordering code

OE.17	K	18	X	Y	Z	W
-------	---	----	---	---	---	---

Solenoid operated valves
2-way 2-positions
Common cavity size 08
in emergency manifold



Manifold material

00	Aluminium
S0	Steel

Manifold port sizes

09	G 1/4
02	G 3/8

Cartridge seals and accessories options

- O** = With buna seal
- V** = With Viton seal
- P** = With buna seal and protective cap for override version **B, C** and **D**
- T** = With Viton seal and protective cap for override version **B, C** and **D**

Cartridge options

- A** = Standard
- B** = Push style manual override
- C** = Push and twist style manual override
- D** = Knob style manual override
- E** = Pull style manual override
- F** = Hand operated pull style manual override

Common cavity size 08

Note: for solutions availability (K-X-Y combinations), please refer to TAB.1 on page 2.