

Part number:

# DGMS - 3

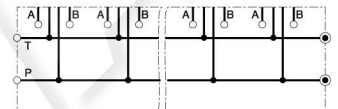
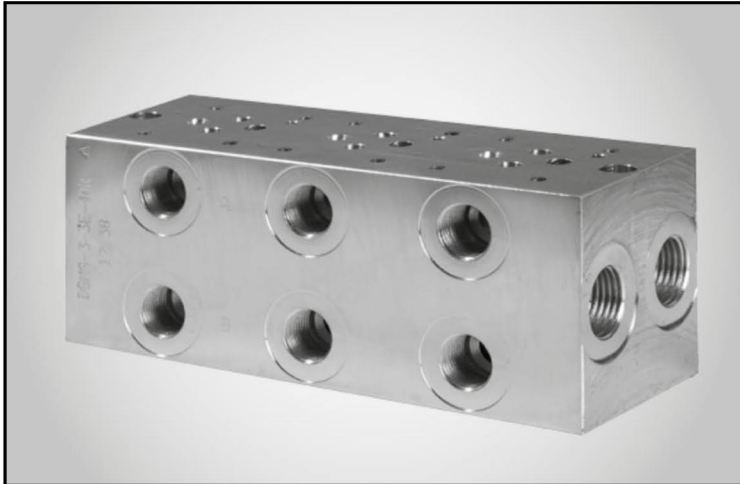
## MULTI-STATION (IN-LINE) MANIFOLDS

| KE 7045 | 09/13 |

**D<sub>n</sub> 06 | p<sub>n</sub> 35 MPa**

Multistation manifolds DGMS-3 are basic elements for in-line mounting of hydraulic circuits in vertical stacking assemblies

Dn 06, NG 06 | 1-8 sections |  
Steel DIN 5355 3263 | Installation dimensions  
according to: CETOP RP 121-H (CETOP 3),  
ISO 4401-03, DIN 24340



## FUNCTIONAL DESCRIPTION

Multi-station manifolds DGMS-3 provides an economical way of building vertical stacked hydraulic circuit using sandwich plate valves in combination with directional valve of size D<sub>n</sub> 06. All hydraulic circuits have a common pressure and tank ports (P, T) that are situated on each end of the manifold. Each control circuit has a separate actuator ports (A, B) situated on the frontal area of the manifold.

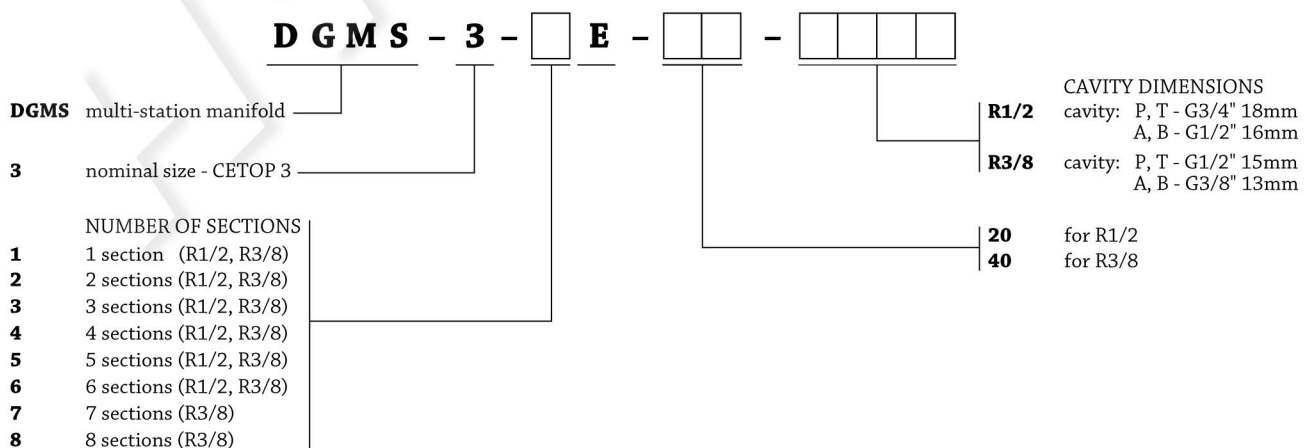
## INSTALLATION, SERVICE AND MAINTENANCE

Multi-station manifolds DGMS-3 can be installed in any working position. Port cavities are designed for pipe or hydraulic hose connection. For cavity dimensions of P, T, A, B ports see the chapter Cavity dimensions of this datasheet. Machined pad must be provided if any section is not used.

## DELIVERY

Fittings, machined pads with sealing and mounting screws are not included in the package. These must be ordered separately.

## ORDERING CODE



### CAVITY DIMENSIONS

**R1/2** cavity: P, T - G3/4" 18mm  
A, B - G1/2" 16mm

**R3/8** cavity: P, T - G1/2" 15mm  
A, B - G3/8" 13mm

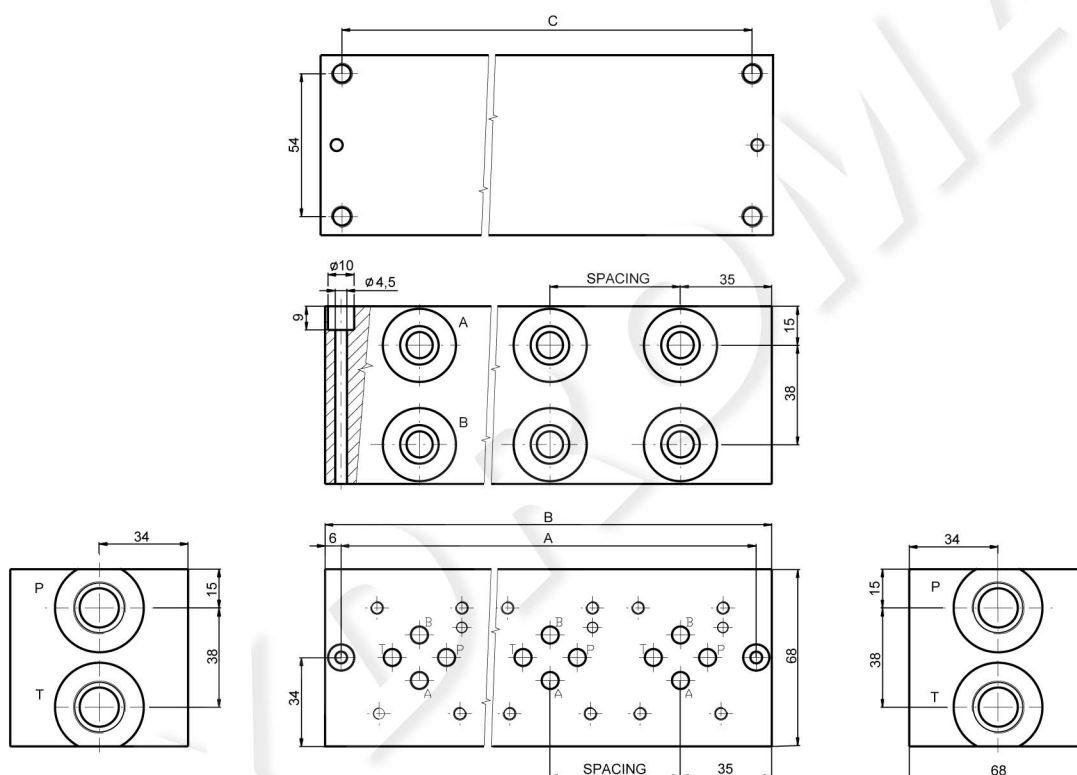
## TECHNICAL DATA

	Symbol	Unit	Value
Nominal pressure	$p_n$	MPa	35
Fluid temperature range	$t_{po}$	°C	-20 up to +80
Ambient temperature range	$t_k$	°C	-20 up to +70
Hydraulic medium		Hydraulic oils of power class (HL,HLP) according to DIN 51524	
Weight	m	kg	see Manifold dimensions
Surface treatment		Nickel plated	
Material		Steel DIN 5355 3263	

## MANIFOLD DIMENSIONS

### DGMS-3-xE-40-R3/8

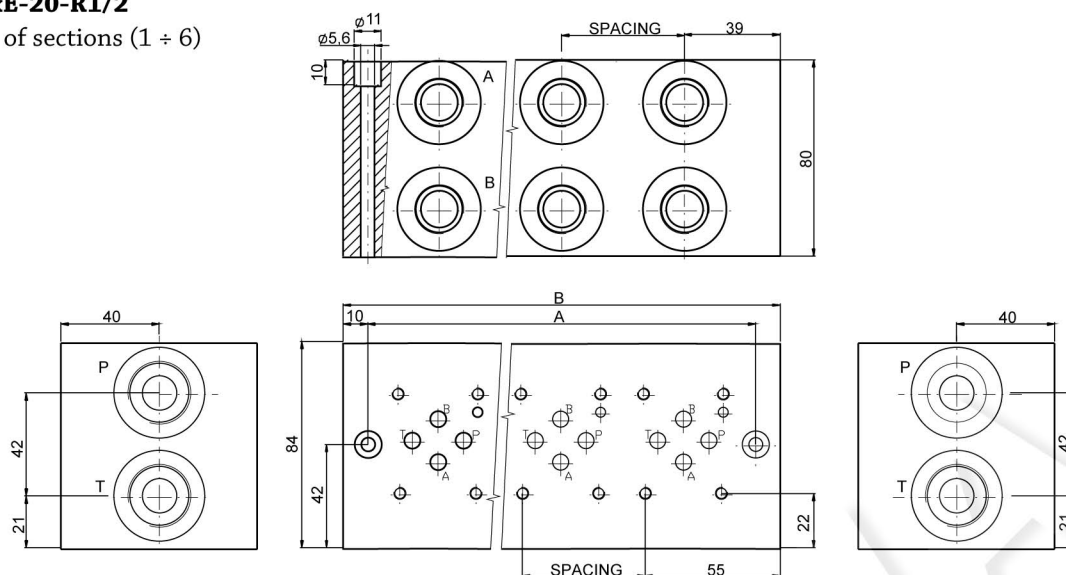
x - number of sections (1 ÷ 8)



Type	x	A	B	C	Spacing	Weight [kg]
DGMS-3-1E-40-R3/8	1	58	71	55	-	2,2
DGMS-3-2E-40-R3/8	2	108	121	105	50	3,8
DGMS-3-3E-40-R3/8	3	158	171	155	50	5
DGMS-3-4E-40-R3/8	4	208	221	205	50	7
DGMS-3-5E-40-R3/8	5	258	271	255	50	8,2
DGMS-3-6E-40-R3/8	6	308	321	305	50	10
DGMS-3-7E-40-R3/8	7	358	371	355	50	11,8
DGMS-3-8E-40-R3/8	8	408	421	405	50	13,6

## DGMS-3-xE-20-R1/2

x - number of sections (1 ÷ 6)

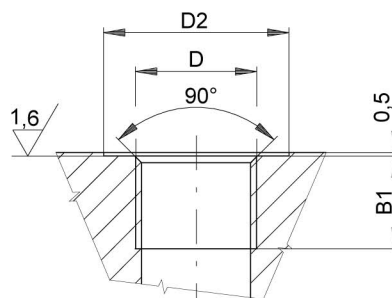


Type	x	A	B	Spacing	Weight [kg]
DGMS-3-1E-20-R 1/2	1	58	78	50	3,5
DGMS-3-2E-20-R 1/2	2	108	128	50	6
DGMS-3-3E-20-R 1/2	3	158	178	50	8,2
DGMS-3-4E-20-R 1/2	4	208	228	50	10,5
DGMS-3-5E-20-R 1/2	5	258	278	50	12,8
DGMS-3-6E-20-R 1/2	6	308	328	50	15

## CAVITY DIMENSIONS

### DGMS-3-xE-40-R3/8

Cavity	Thread (D)	D2	B1
P,T	G1/2"	34	15
A,B	G3/8"	28	13



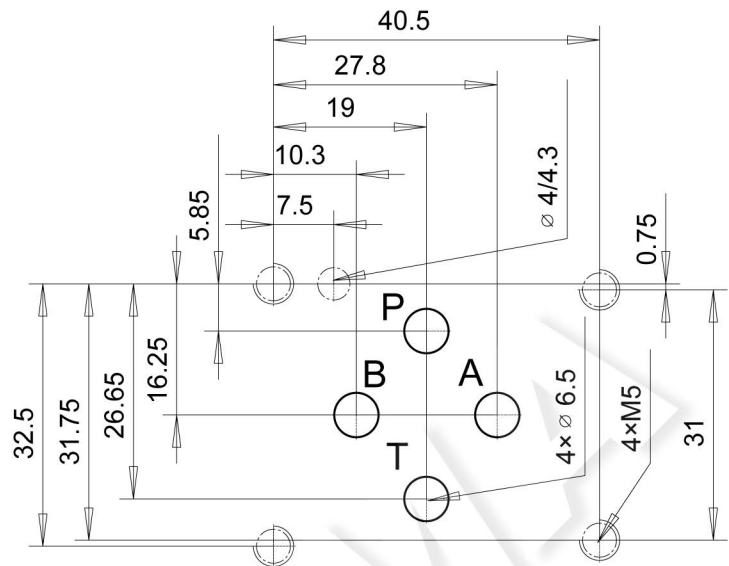
### DGMS-3-xE-20-R1/2

Cavity	Thread (D)	D2	B1
P,T	G3/4"	37	16
A,B	G1/2"	31	18

Standard fitting dimensions are used for connecting ports P, T, A, B of the manifold. It is recommended to provide O-ring sealing to all pipe or hydraulic hose fittings.

## INSTALLATION DIMENSIONS

According to CETOP RP 121H-R03 (CETOP 3)



## NOTES

The data is subject to change. The manufacturer reserves the right to make changes and/or improvements without prior notice. It is understood that the information in this datasheet is being used at one's own risk.