

Part number:



HYDRAULICKÉ SYSTÉMY



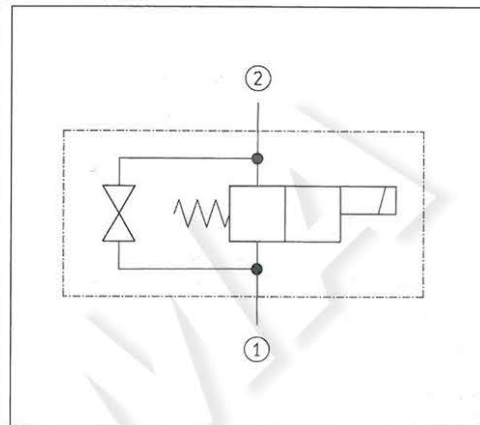
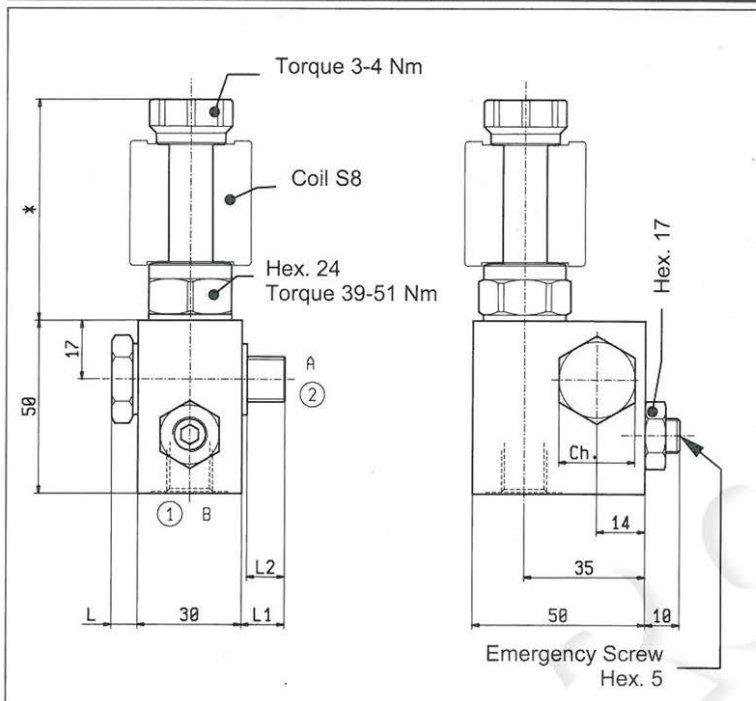
UKŁADY HYDRAULICZNE



ГИДРАВЛИЧЕСКИЕ СИСТЕМЫ

**SOLENOID OPERATED VALVES
2-WAY SIZE 06 SERIES 8A/8I FLANGE MOUNTED
CARTRIDGE STYLE IN EMERGENCY MANIFOLD**

VED-CN-8I-06 VEI-CN-8A/8I-06 OE.17 - K - 18 - Y - Z



TECHNICAL DATA

Maximum Operating Pressure 250 bar

* See cartridge data sheets for curves, features and functional details.

Emergency manifolds in high strength aluminum.

For working pressures up to 350 bar and for fatigue applications with any working pressure, steel manifolds are available upon request.

7.5	14	10.9	22																09	30
8.5	15	11.9	22																02	60
L	L1	L2	Ch																Z	TIGHTENING TORQUE Nm
K	Same as cartridge code																			
Y	Same as cartridge code																			

**CARTRIDGES TO BE INSERTED
(OD - J - K - 18 - Y - 00)**

VED J = 11	VEI J = 15
OD.11. 31 .18. - Y - 00	OD.15. 01 .18. - Y - 00
OD.11. 32 .18. - Y - 00	OD.15. 02 .18. - Y - 00
	OD.15. 05 .18. - Y - 00
	OD.15. 06 .18. - Y - 00
	OD.15. 31 .18. - Y - 00
	OD.15. 32 .18. - Y - 00

Z	PORT SIZE	
02	G 3/8	
09	G 1/4	