

Part number:

HYDROMA

HYDRAULICKÉ SYSTÉMY

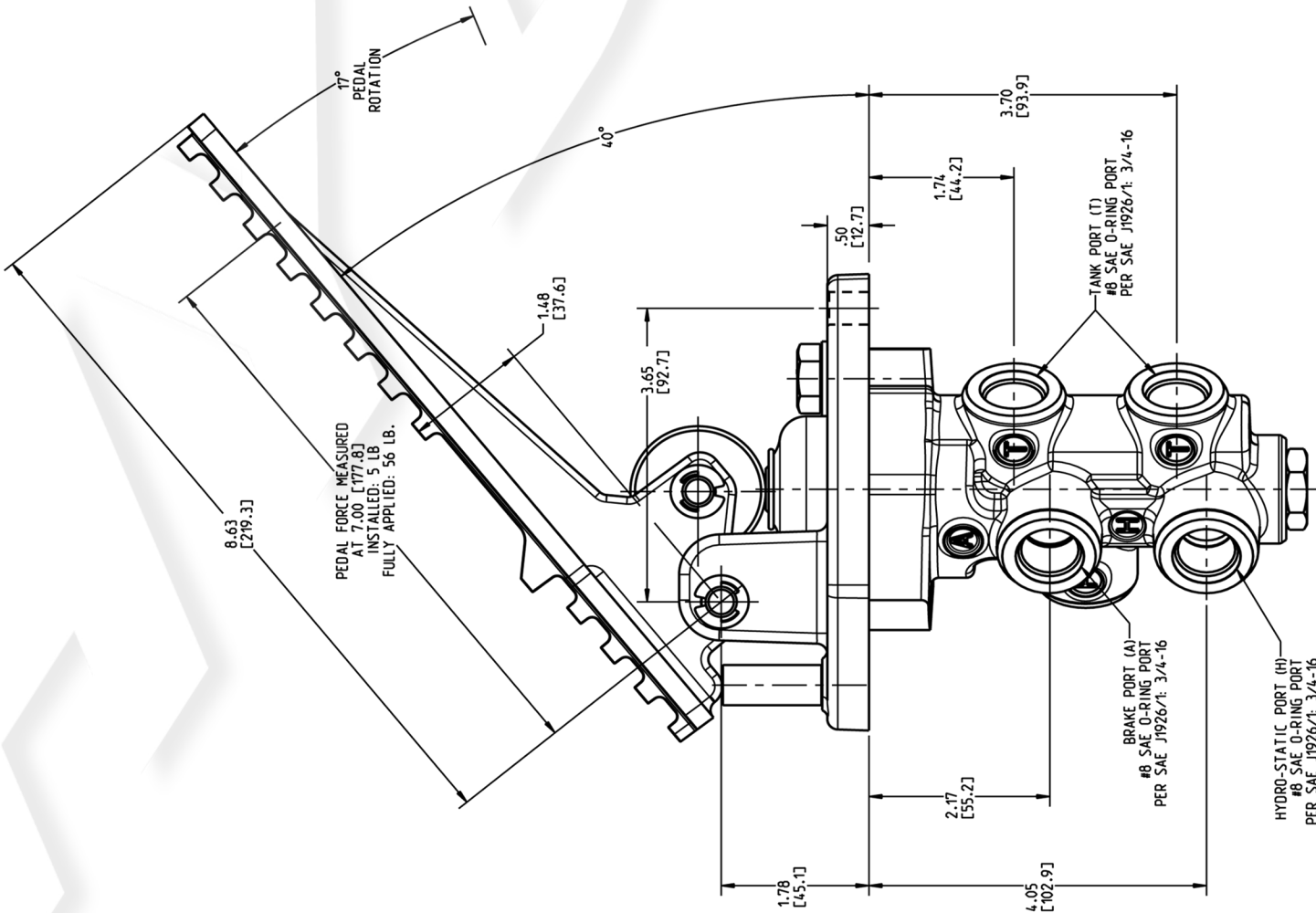
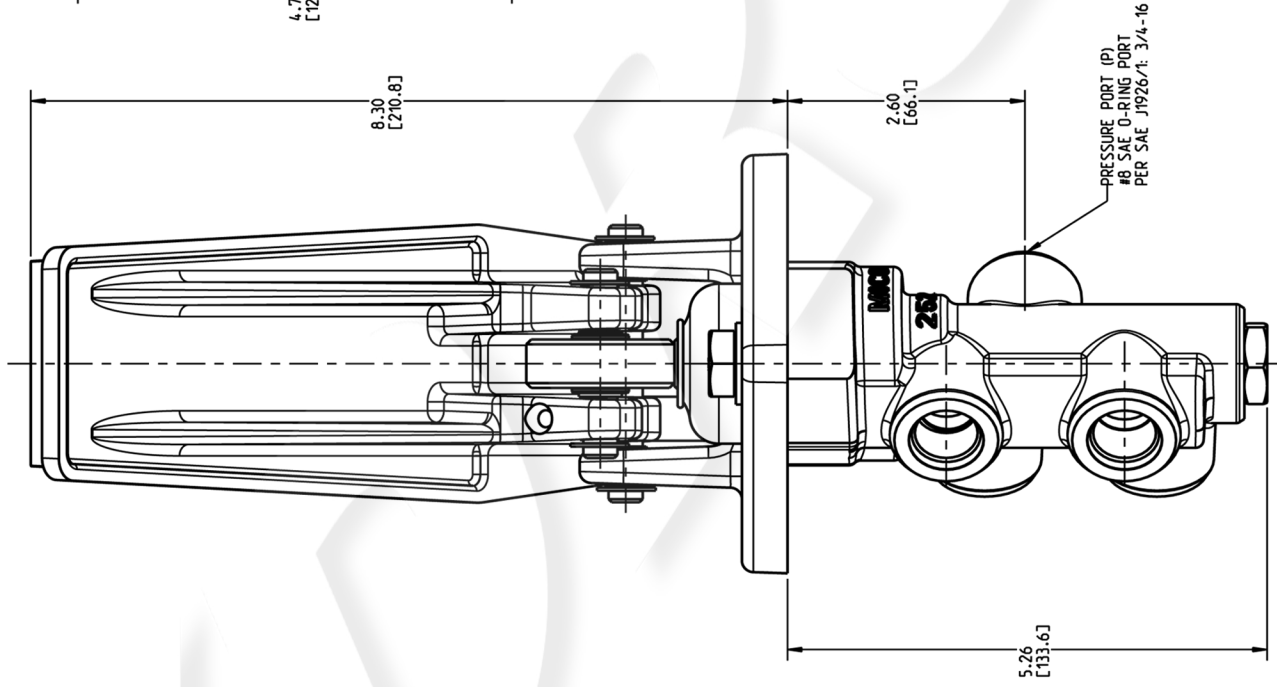
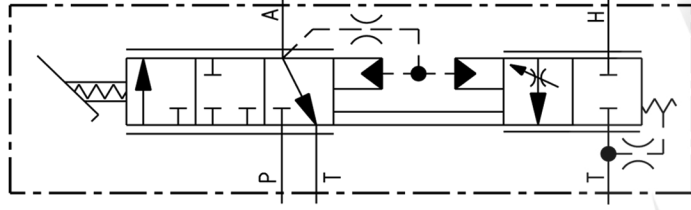
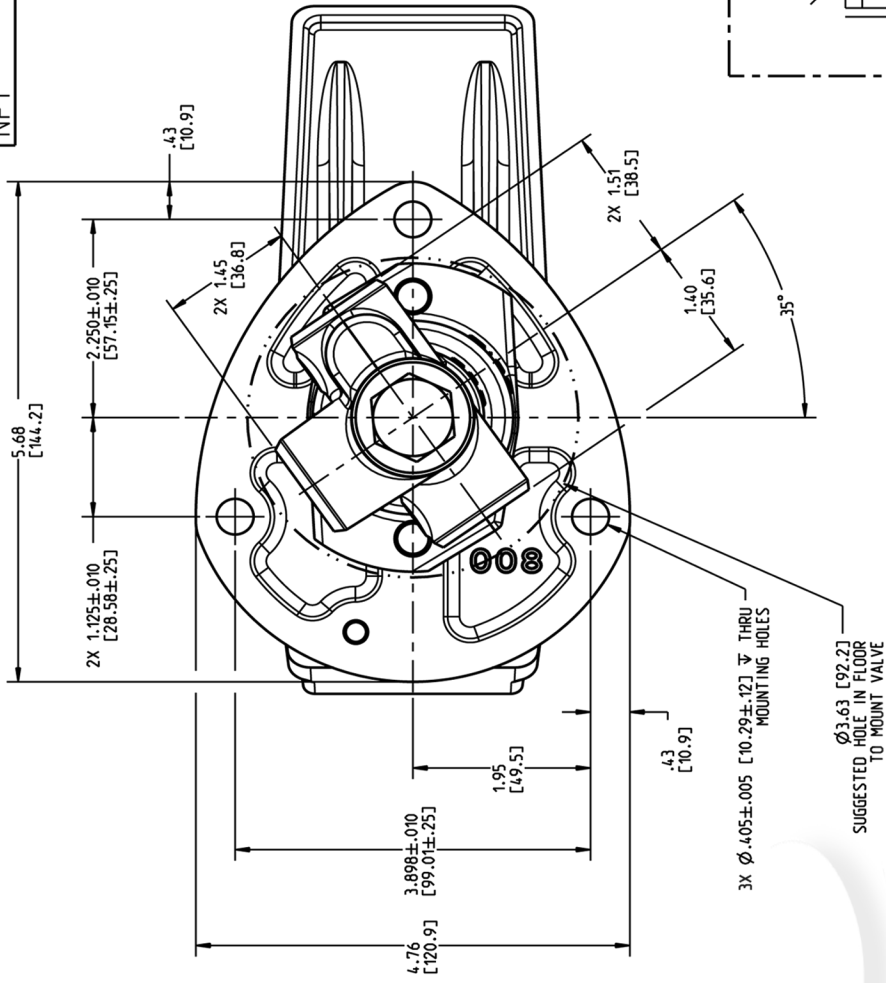
HIDROMA
SYSTEMS

UKŁADY HYDRAULICZNE

HYDROMA

ГИДРАВЛИЧЕСКИЕ СИСТЕМЫ

DRAWING NUMBER
X08-2326-000
NPI OR ECN NO
NPI



INCH
(MILLIMETER)

NOTES:
1) TO BE USED WITH MINERAL BASE HYDRAULIC OIL ONLY.
2) DIMENSIONS MAY VARY SLIGHTLY BETWEEN UNITS AND ARE FOR REFERENCE PURPOSES ONLY. MILLIMETER VALUES MAY NOT BE AN EXACT CONVERSION OF INCH VALUES.
3) VALVE ASSEMBLY SURFACE FINISH: OLIVE DRAB PRIMER PER DOD-P-15328 SPECIFICATION.

PERFORMANCE CHARACTERISTICS:
1) BRAKE PRESSURE SETTING IS 1200 ±50 PSI (83 ±3 bar) WITH 1700 PSI (117 bar) INLET PRESSURE AND 15 cSt OIL.
2) MAXIMUM INLET PRESSURE IS 3000 PSI (207 bar).
3) VALVE ASSEMBLY SURFACE FINISH: OLIVE DRAB PRIMER PER DOD-P-15328 SPECIFICATION.

COMPONENT AND SYSTEM RECOMMENDATIONS MADE BY MICO, INC. ARE BASED ON INFORMATION SUPPLIED BY POTENTIAL USER AND/OR SYSTEM DESIGNER. THE POTENTIAL USER AND/OR DESIGNER MUST MAKE FINAL ACCEPTANCE AND APPROVAL OF COMPONENTS AND SYSTEM AFTER TESTING PERFORMANCE ON AN ACTUAL APPLICATION FOR WHICH SYSTEM WAS DESIGNED. MICO, INC. CLAIMS PROPRIETARY RIGHTS TO THE MATERIAL DISCLOSED IN THIS DOCUMENT. THIS DOCUMENT IS PROVIDED IN CONFIDENCE AND MAY NOT BE REPRODUCED OR DISCLOSED WITHOUT WRITTEN PERMISSION FROM MICO, INC. COPYRIGHT MICO, INC. ALL RIGHTS RESERVED.

SCALE	TITLE	ACTUATED HYSTAT VALVE
0.500	PEDAL	
DWN CL	APVD ENGR	SIZE
2008-11-05		B
X NO	APVD ENGR	DRAWING NUMBER
X08-2326-000		X08-2326-000
		REV
		A
		CUSTOMER COPY