

Part number:

006-10776

HYDROMA

HYDRAULICKÉ SYSTÉMY

**HIDROMA
SYSTEMS**

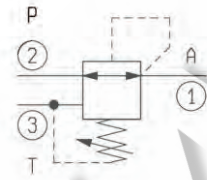
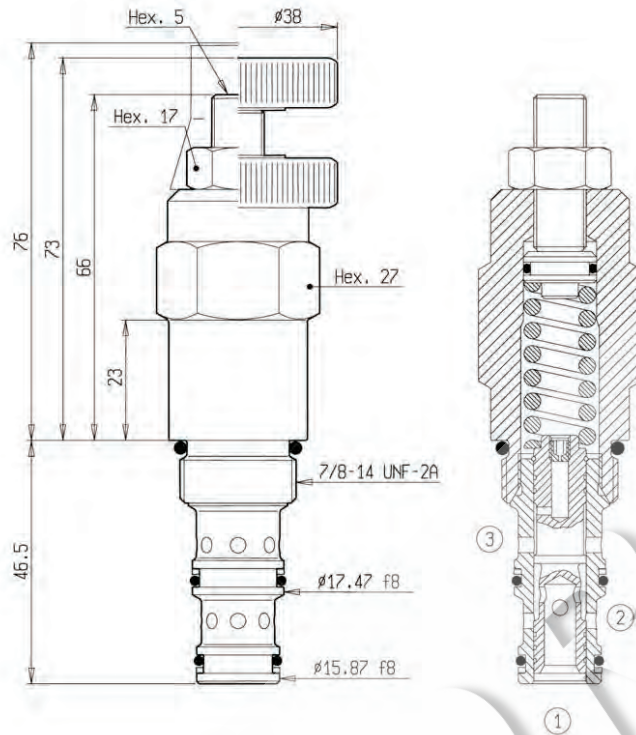
UKŁADY HYDRAULICZNE

HYDROMA

ГИДРАВЛИЧЕСКИЕ СИСТЕМЫ

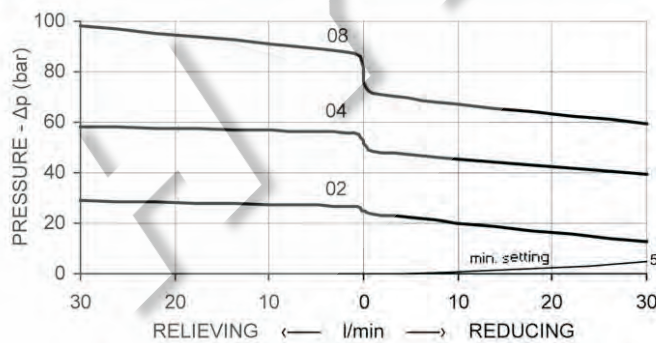
VRPR-10A

04.95.04 - X - 85 - Z





TECHNICAL DATA

Max. inlet pressure :	350	bar
Max. flow :	30	l/min
Internal leakage :	ave. 35	cm ³ /min
Cavity – Tooling (page 10.012) :	CA-10A-3N	
External seals kit :	see page 11.011	
Installation torque :	50-60	Nm
Weight :	0.260	kg




X ADJUSTMENTS

03	Leakproof hex. socket screw	
04	Handknob and locknut	

Z SPRINGS

Z	SPRINGS		
	Adj. press. range bar	Press. increase bar/turn	Standard setting bar (reduc. mode)
02	2-25	2.8	7-10
04	10-50	7	35-40
08	28-80	14	45-50

OPTIONALS

Ordering code	Description
11.04.23.003	 Tamperproof cap