

Part number:

**HYDROMA**

HYDRAULICKÉ SYSTÉMY

**HIDROMA  
SISTEMS**

UKŁADY HYDRAULICZNE

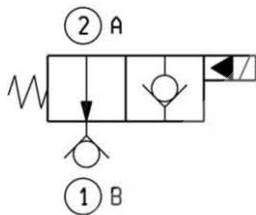
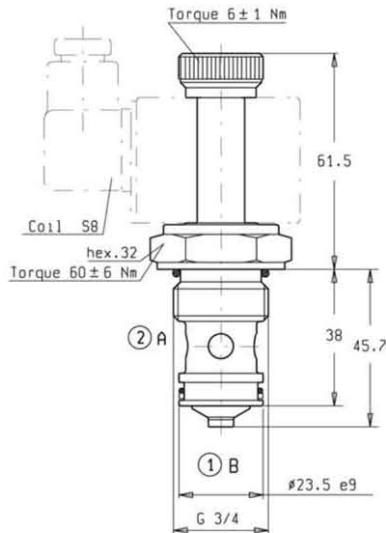
**HYDROMA**

ГИДРАВЛИЧЕСКИЕ СИСТЕМЫ

**SOLENOID OPERATED CARTRIDGE VALVES  
POPPET 2-WAY NORMALLY OPEN**

**VEI-8A-2A-09-NA-VU-S1**

**OD.15.12.17 - Y - 00**



**DESCRIPTION**

Two way, pilot operated, normally open poppet style solenoid cartridge valves, designed for applications requiring virtually zero internal leakage.

**OPERATION**

When de-energized, flow is allowed only from A to B, while it is blocked by the check valve from B to A. When energized, the poppet lowers blocking flow from A to B, while flow in the opposite direction is always blocked by the check valve. To operate push style manual override: push and hold override button. To operate push and twist style manual override: push override button, turn clockwise and release; the valve will remain closed.

**FEATURES - RATINGS**

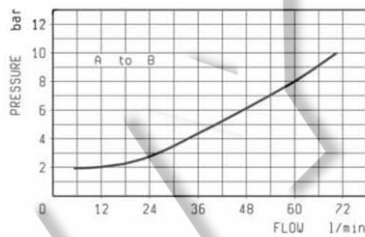
**Maximum Operating Pressure 350 bar**  
**Rated Flow 70 l/min**

- Cavity - Tooling (page 7.01.10) : 017-E
- Weight : 0.220 kg
- Fluids - Temperatures - Testing Conditions - Seals : see page 7.01.04
- Internal Leakage : see page 7.01.04
- Filtration : 25 µm nominal or better, see page 7.01.05
- Minimum Voltage Required : 90% of nominal
- Coils must be ordered separately, see page 1.71.05
- Mounting Position : unrestricted

**ORDERING OPTIONS**

**Standard Y = 17**  
**Push Style Manual Override Y = 18**  
**Push and Twist Style Manual Override Y = 19**

**PRESSURE DROP**



**RESPONSE TIME**

