

Part number:

006-10045

HYDROMA

HYDRAULICKÉ SYSTÉMY

**HIDROMA
SISTEMS**

UKŁADY HYDRAULICZNE

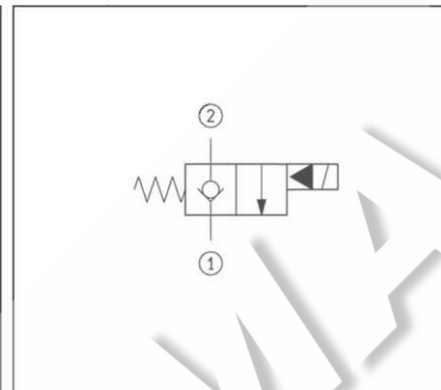
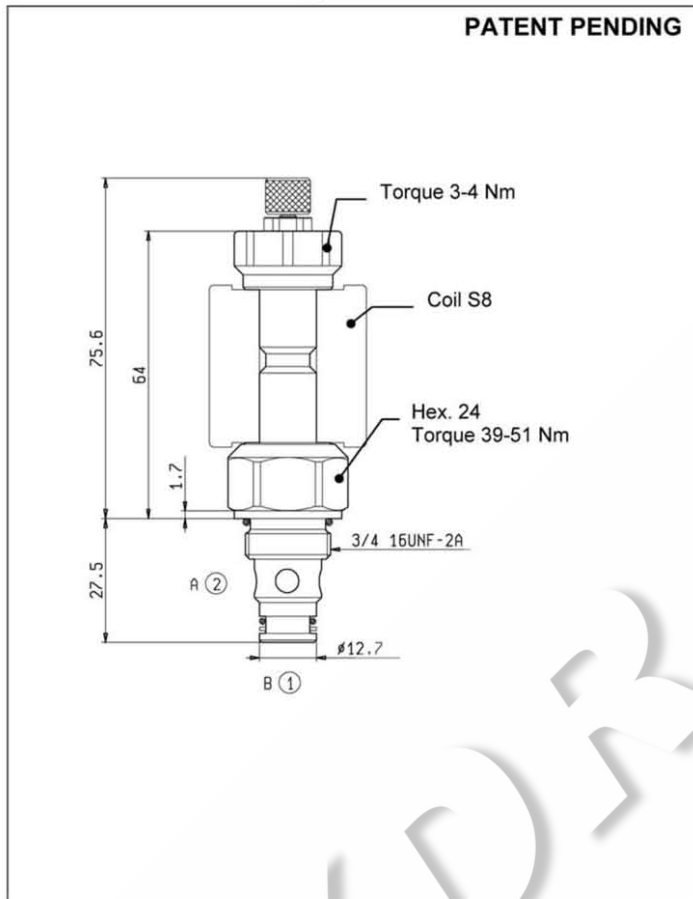
HYDROMA

ГИДРАВЛИЧЕСКИЕ СИСТЕМЫ

**SOLENOID OPERATED VALVES
POPPET 2-WAY NORMALLY CLOSED
CARTRIDGE STYLE – HIGH PRESSURE**

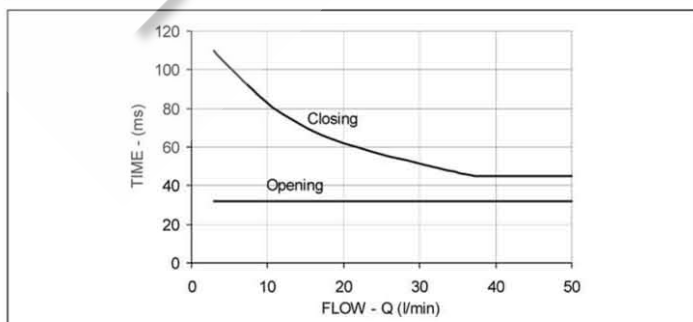
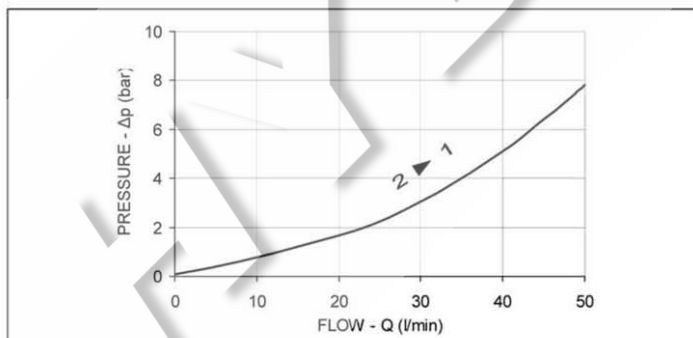
VEI-8A-2A-06-NC-S1-NSA

OD.15.01.18 - Y - 00



TECHNICAL DATA

Maximum Operating Pressure	450	bar
Fatigue Cycle Life at 350 bar and 0.5 Hz (1 s ON - 1 s OFF)	10 million	cycles
Rated Flow	40	l/min
Cavity - Tooling (018-E)	page 7.01.100	
Weight	0.130	kg
Fluids - Temperatures	page 7.01.040	
Testing Conditions - Seals	page 7.01.040	
Internal Leakage	page 7.01.040	
Filtration : 25 µm nominal or better	page 7.01.050	
Minimum Voltage Required	90% of nominal	
Coils must be ordered separately	page 1.71.050	
Mounting Position	unrestricted	



Y	ORDERING OPTIONS	
3A	Standard	
3B	Knob Style Manual Override	

Rev.03.04

1.11A.040.G