

Part number:

[Empty box for part number]

HYDROMA

HYDRAULICKÉ SYSTÉMY

**HIDROMA
SISTEMS**

UKŁADY HYDRAULICZNE

HYDROMA

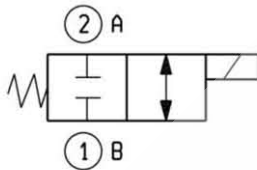
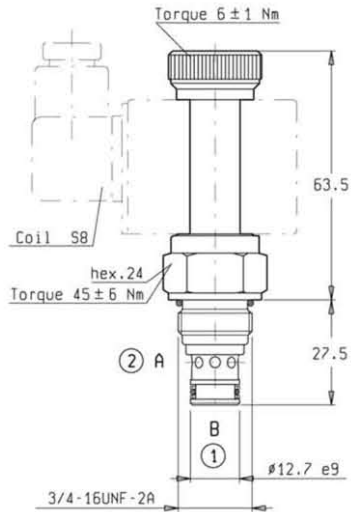
ГИДРАВЛИЧЕСКИЕ СИСТЕМЫ

[Empty box for part number]

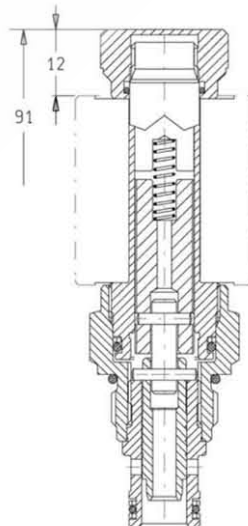
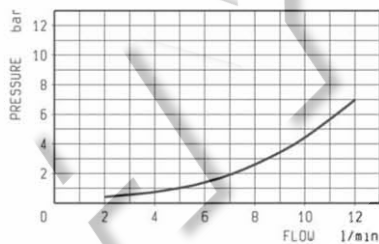
**SOLENOID OPERATED CARTRIDGE VALVES
SPOOL 2-WAY NORMALLY CLOSED**

VED-8A-22-06-NC

OD.11.20.18.39.00



PRESSURE DROP



DESCRIPTION

Two way, two position direct acting, normally closed spool style solenoid cartridge valves.

OPERATION

When de-energized, flow is blocked in both directions. When energized, the spool shifts opening the bidirectional flow path, and allowing flow in both directions.

FEATURES - RATINGS

Maximum Operating Pressure

210 bar

Rated Flow

10 l/min

- Cavity - Tooling (page 7.01.10) : 018-E
- Weight : 0.130 kg
- Fluids - Temperatures - Testing Conditions - Seals : see page 7.01.04
- Internal Leakage : Max. 40 cm³/min at 210 bar with 46 cSt oil
- Filtration : 25 µm nominal or better, see page 7.01.05
- Minimum Voltage Required : 90% of nominal
- Coils must be ordered separately, see page 1.71.05
- Mounting Position : unrestricted
- **IMPORTANT** : All products shown in this page are not available from stock and not included in our standard price list. Please contact our Sales Department for any information.