

Part number:

**HYDROMA**

HYDRAULICKÉ SYSTÉMY

**HIDROMA  
SISTEMS**

UKŁADY HYDRAULICZNE

**HYDROMA**

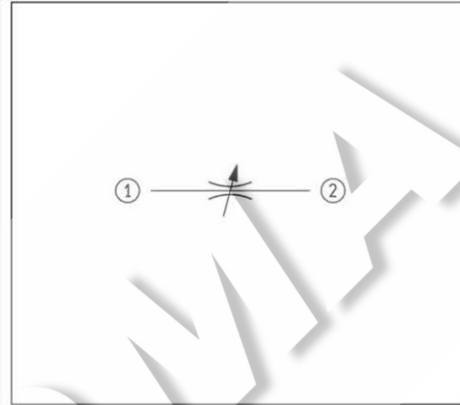
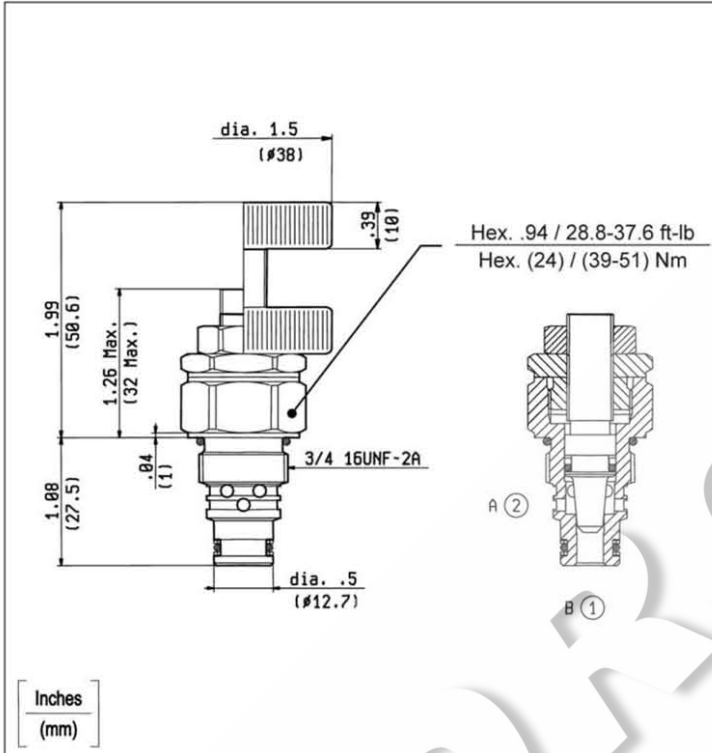
ГИДРАВЛИЧЕСКИЕ СИСТЕМЫ

**FLOW CONTROL VALVES  
CARTRIDGE RESTRICTORS  
COMMON CAVITY**

**ST-C-06**

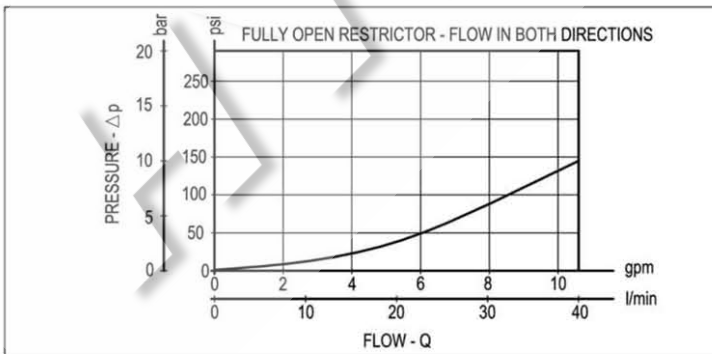
**SIZE 08**

**OD.21.01 - X - 56**



**TECHNICAL DATA**

Maximum Operating Pressure	5000 psi (350 bar)
Rated Flow	11 gpm (40 l/min)
Cavity - Tooling (CA-08A-2N)	page CT.A.001.U
Line bodies	page MN2.A...
Weight	0.199 lbs (0.090 kg)
Fluids - Temperatures	page 7.01.040
Testing Conditions - Seals	page 7.01.040
Internal Leakage	page 7.01.040
Filtration : 25 µm nominal or better	page 7.01.050
Adjustment Torque at 145 psi (10 bar)	0.7 ft-lb (1 Nm)
Adjustment Torque at 5000 psi (350 bar)	3.7 ft-lb (5 Nm)
Mounting Position	unrestricted



<b>X</b>	<b>ORDERING OPTIONS</b>	
<b>03</b>	Socket Screw	
<b>04</b>	Handknob and Locknut	