

Part number:

006-10430

HYDROMA

HYDRAULICKÉ SYSTÉMY

**HIDROMA
SYSTEMS**

UKŁADY HYDRAULICZNE

HYDROMA

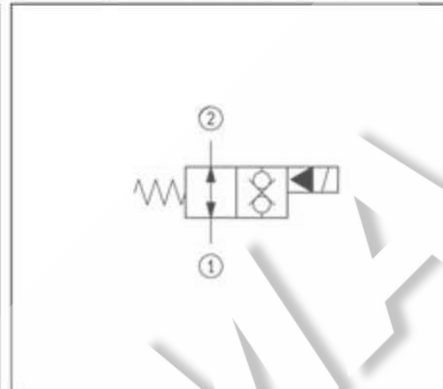
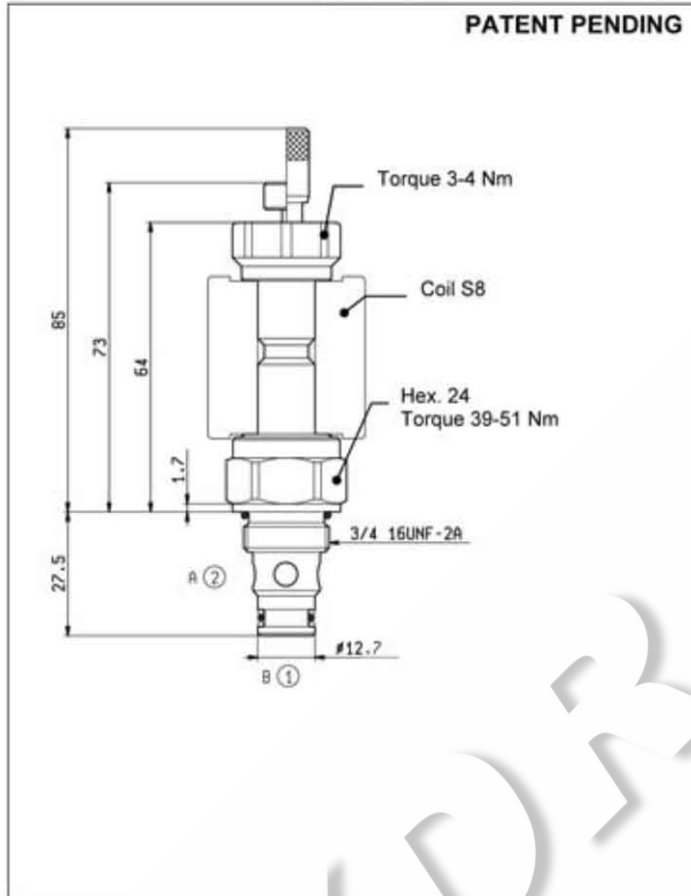
ГИДРАВЛИЧЕСКИЕ СИСТЕМЫ

**SOLENOID OPERATED VALVES
POPPET 2-WAY DOUBLE LOCK NORMALLY OPEN
CARTRIDGE STYLE - HIGH PRESSURE**

VEI-8A-2T-06-NA-S-NSA

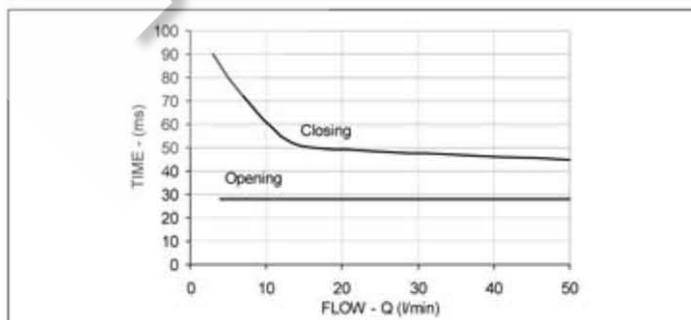
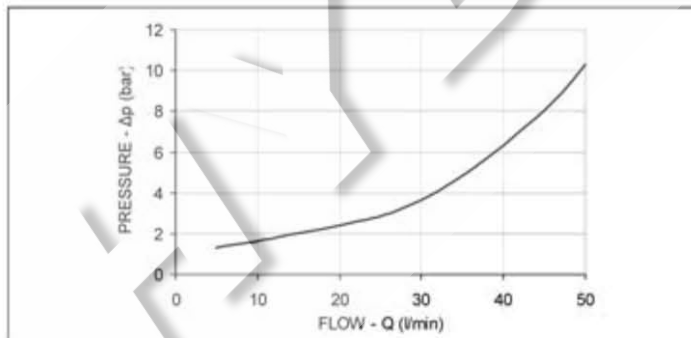
OD.15.32.18 - Y - 00

PATENT PENDING



TECHNICAL DATA

Maximum Operating Pressure	450	bar
Fatigue Cycle Life at 350 bar and 0.5 Hz (1 s ON - 1 s OFF)	10 million	cycles
Rated Flow	40	l/min
Cavity - Tooling (018-E)	page 7.01.100	
Weight	0.130	kg
Fluids - Temperatures	page 7.01.040	
Testing Conditions - Seals	page 7.01.040	
Internal Leakage	page 7.01.040	
Filtration : 25 µm nominal or better	page 7.01.050	
Minimum Voltage Required	90% of nominal	
Coils must be ordered separately	page 1.71.050	
Mounting Position	unrestricted	



Rev.03.04

Y	ORDERING OPTIONS	
1A	Standard	
1B	Push Style Manual Override	
1C	Push and Twist Style Manual Override	

1.14A.060.G