

Part number:

HYDROMA

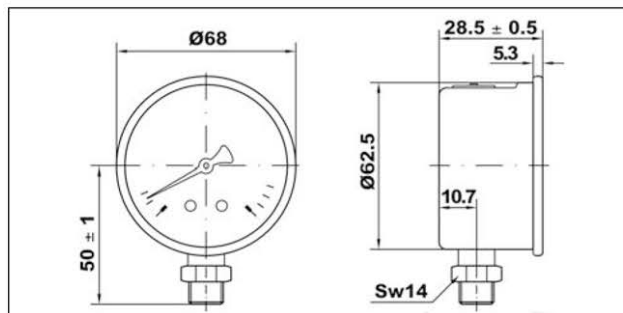
HYDRAULICKÉ SYSTÉMY

**HIDROMA
SISTEMS**

UKŁADY HYDRAULICZNE

HYDROMA

ГИДРАВЛИЧЕСКИЕ СИСТЕМЫ

**MG1-INOX 63****Opzioni : vedi pagina 107****Options : see page 107****Glicerina cassa inox DN63 attacco radiale****Materiali**

Cassa + anello: Acciaio inox AISI 304 antiscoppio

Trasparente: Vedril PMMA

Quadrante: Alluminio bianco

Indice: Plastica nera

Attacco: Lega di rame lato quadro 14 mm

Elemento manometrico: Molla Bourdon in lega di rame, saldatura in lega di stagno ≤ 60 bar molla C, > 60 bar molla a ricciolo saldatura in lega Sn-Ag

Movimento: Lega di rame

Fluido antivibrante: Glicerolo 99.5%

Caratteristiche tecniche

Norme di riferimento: EN 837-1
 Pressione d'esercizio: Statica: 75 % del valore di fondo scala
 Fluttuante: 60 % del valore di fondo scala
 Per brevi periodi: fino al valore di fondo scala

Limiti di temperatura: Ambiente: -20 ... +60 °C
 Fluido: +40 °C massimo
 Stoccaggio: -20 ... +60 °C

Deriva termica: ±0,04%/1Kelvin dello scostamento dalla temperatura di riferimento (+20°C)

Classe di precisione: cl. 1.6

Grado di protezione: IP 65 per EN 60 529 / IEC 259

Peso individuale: 0.206 kg

Glycerine filled stainless steel case DN63 bottom entry**Materials**

Case + roll on bezel: Stainless steel AISI 304 with blow-out device

Window: Vedril PMMA

Dial: White aluminium

Pointer: Black plastic

Pressure connection: Cu-alloy, 14 mm flats

Pressure element: Bourdon tube Cu-alloy, soft soldered ≤ 60 bar C-type, > 60 bar helical type Sn-Ag soldered

Movement: Cu-alloy

Liquid filling: Glycerine 99.5%

Technical specifications

Design: EN 837-1

Working pressure: Steady: 75 % of full scale value
 Fluctuating: 60 % of full scale value
 Short time: full scale value

Temperature limits: Ambient: -20 ... +60 °C
 Medium: +40 °C maximum
 Storage: -20 ... +60 °C

Temperature effect: Deviation from reference temperature (+20°C): ±0,04%/1K of the span

Accuracy class: cl. 1.6

Degree of protection: IP 65 for EN 60 529 / IEC 529

Individual weight: 0.206 kg

Denominazione Type	Codice Part No.	Scala Pressure Range	Attacco Connection	Opzioni Options	Imballo/Conf. Box/Master	Min.ord. Min.order	€uro
MG1-INOX 63		-76-0 cm Hg	G1/4B		100	200	
MG1-INOX 63	PE309914LF	-1/0 bar/in Hg	G1/4B	D+LF*	100	10	
MG1-INOX 63	PE3401DJ00	-1/0.6 bar/psi	G1/4B	D*	100	200	
MG1-INOX 63	PE3502DJ00	-1+1.5 bar/in hg	G1/4B	D*	100	10	
MG1-INOX 63	PE3504BJ01	-1+3 bar	G1/4B		100	10	
MG1-INOX 63	PE308722	-1+5 bar	G1/4B		100	10	
MG1-INOX 63		-1+9 bar	G1/4B		100	200	
MG1-INOX 63		-1+15 bar	G1/4B		100	200	
MG1-INOX 63	PE340114LF	0-1 bar/psi	G1/4B	D+LF*	100	10	
MG1-INOX 63	PE340214LF	0-1.6 bar/psi	G1/4B	D+LF*	100	10	
MG1-INOX 63	PE350314LF	0-2.5 bar/psi	G1/4B	D+LF*	100	10	
MG1-INOX 63	PE350414LF	0-4 bar/psi	G1/4B	D+LF*	100	10	
MG1-INOX 63	PE350614LF	0-6 bar/psi	G1/4B	D+LF*	100	10	
MG1-INOX 63	PE351014LF	0-10 bar/psi	G1/4B	D+LF*	100	10	
MG1-INOX 63	PE351214LF	0-12 bar/psi	G1/4B	D+LF*	100	10	
MG1-INOX 63	PE351614LF	0-16 bar/psi	G1/4B	D+LF*	100	10	
MG1-INOX 63	PE352014LF	0-20 bar/psi	G1/4B	D+LF*	100	10	
MG1-INOX 63	PE352514LF	0-25 bar/psi	G1/4B	D+LF*	100	10	
MG1-INOX 63	PE354014LF	0-40 bar/psi	G1/4B	D+LF*	100	10	
MG1-INOX 63	PE364414LF	0-60 bar/psi	G1/4B	D+LF*	100	10	
MG1-INOX 63	PE364814LF	0-100 bar/psi	G1/4B	D+LF*	100	10	
MG1-INOX 63	PE365414LF	0-160 bar/psi	G1/4B	D+LF*	100	10	
MG1-INOX 63	PE366014LF	0-250 bar/psi	G1/4B	D+LF*	100	10	
MG1-INOX 63	PE366214LF	0-315 bar/psi	G1/4B	D+LF*	100	10	
MG1-INOX 63	PE366614LF	0-400 bar/psi	G1/4B	D+LF*	100	10	
MG1-INOX 63	PE367014LF	0-600 bar/psi	G1/4B	D+LF*	100	10	